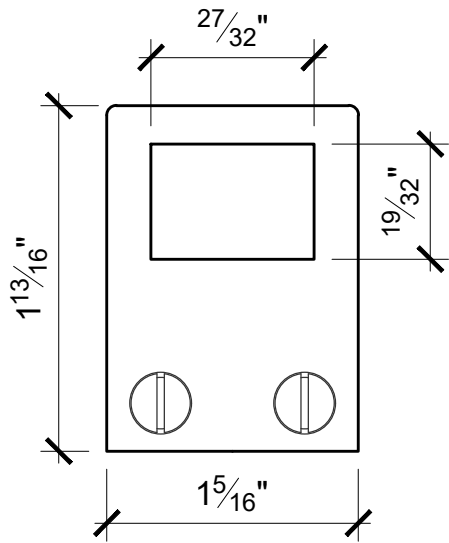
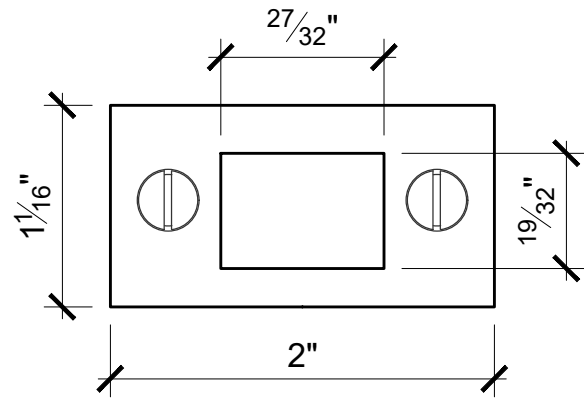




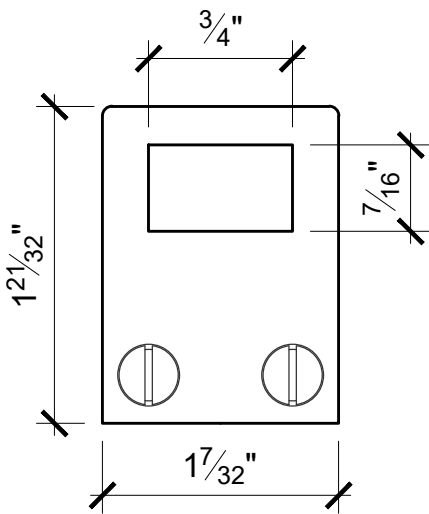
Cremone Strike Plate  
Options\*



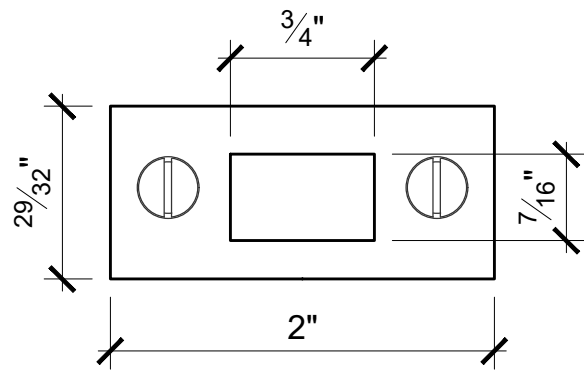
**s1u** detail menton u strike  
SCALE: full scale 1/8" thick



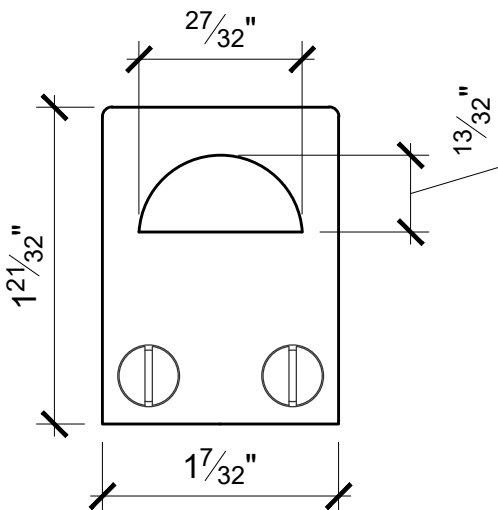
**s1m** detail menton m strike  
SCALE: full scale 1/8" thick



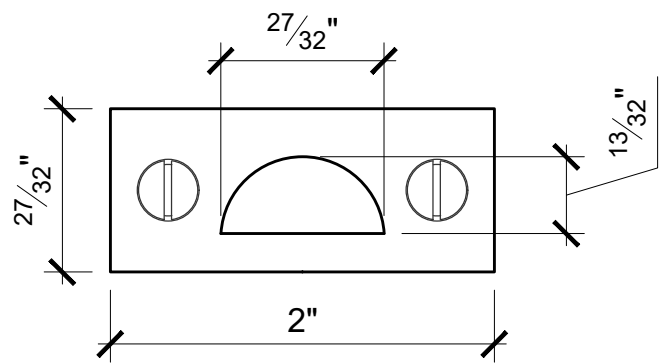
**s2u** detail ladrones u strike  
SCALE: full scale 1/8" thick



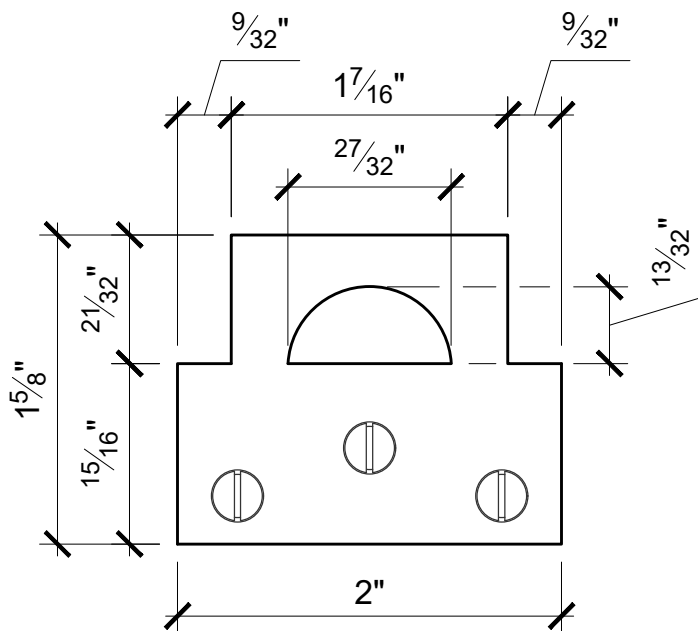
**s2m** detail ladrones m strike  
SCALE: full scale 1/8" thick



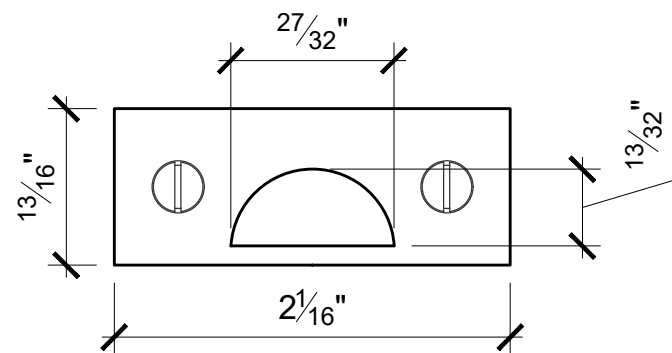
**s3u** detail bories u strike  
SCALE: full scale 1/8" thick



**s3m** detail bories m strike  
SCALE: full scale 1/8" thick



**s4u** detail adler u strike  
SCALE: full scale .075" thick



**s4m** detail adler m strike  
SCALE: full scale .075" thick

\*custom cut cremone strikes are also available